



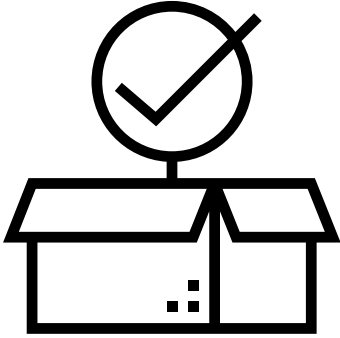
VANITY INSTALLATION GUIDE

"Correct installation is essential for a beautiful and functional vanity. Follow these steps carefully to securely attach it to and enjoy it for years to come."



CHECKLIST BEFORE INSTALLATION

1 Check Products For Any Damages

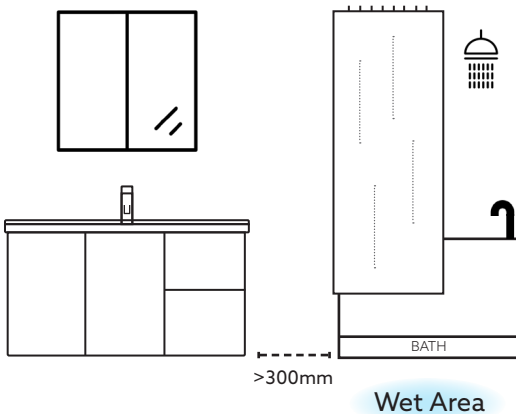


Please check for any damages or incorrect items within 48 hours of receiving your products. If any issues are found, please report them to your place of purchase.



Any claims regarding damage or incorrect items will not be accepted after installation.

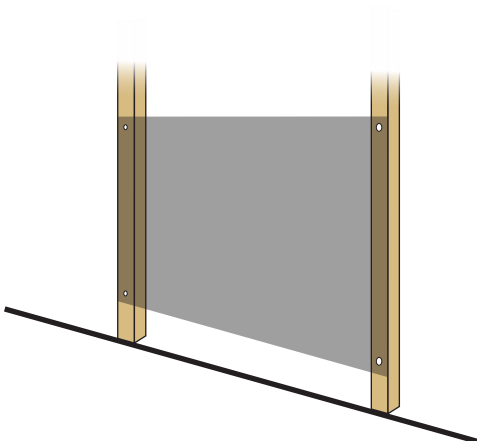
2 Positioning & Ventilation



It is important to carefully plan the placement of your bathroom vanity. Keep vanity at least 300mm away from wet areas, as some of our vanity are moisture resistant but not waterproof. Do not expose the vanity to shower spray.

Adequate ventilation is crucial to prevent moisture buildup and resulting damage, as water damage is not covered by our Warranty.

3 Check for Support Beams



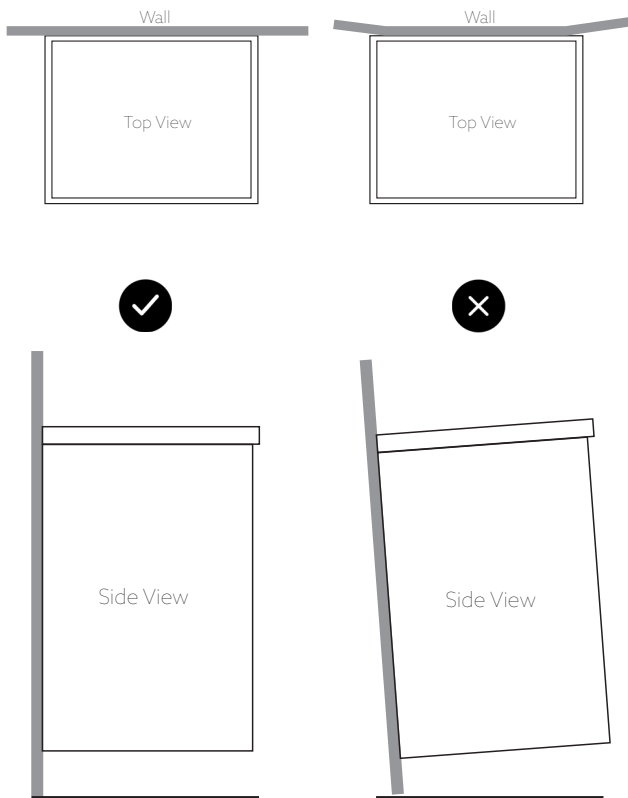
For wall hung vanity and basins, a support beam must be fixed between the studs to provide a solid wall backing.

Additional support noggins may be necessary at the desired height for the cabinet and basin fixing, before the wall is sheeted.

Ensure the total width of the support noggin exceeds the vanity width.

4

Check for Plumb Walls & Level Floors



Before installation, ensure that both the wall and floor are plumb and level, respectively. Failure to do so may result in the following issues:

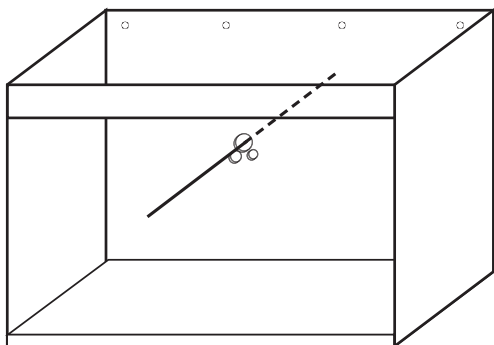
- Doors and drawers may not function properly
- Doors and drawers may not align
- Basins may not sit level, causing water to pool or not drain properly

If it is not feasible to make the wall or floor plumb and level, pack the vanity to avoid following the non-alignment. Floor standing vanities must be placed on a level floor or packed to ensure they are level and secure.

Please take note, if you fix the vanity to a bowed wall, the fastenings will force your cabinet to twist, and benchtop materials may crack due to increased stress on joins and materials.

5

Check Plumbing Positions Align with Product Interior Configurations



When considering water supply fittings inside the cabinet, ensure that plumbing positions align with the product's interior configurations, and take note of clearances behind drawers.

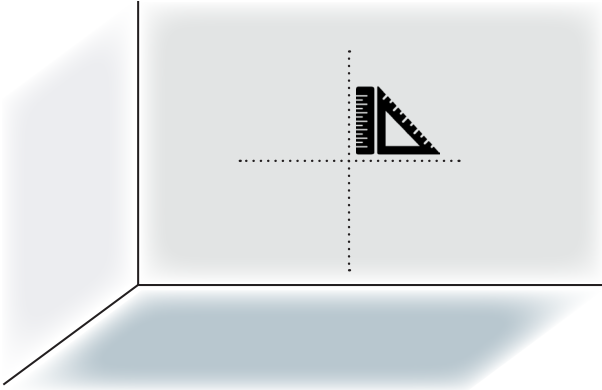


It is necessary for a skilled tradesperson to install the product, and we anticipate that the installation process will adhere to professional standards and result in a high-quality finish. The product is fully covered by a warranty against defects in materials and workmanship. After installation, the installer is responsible for making any necessary adjustments to doors/drawers.



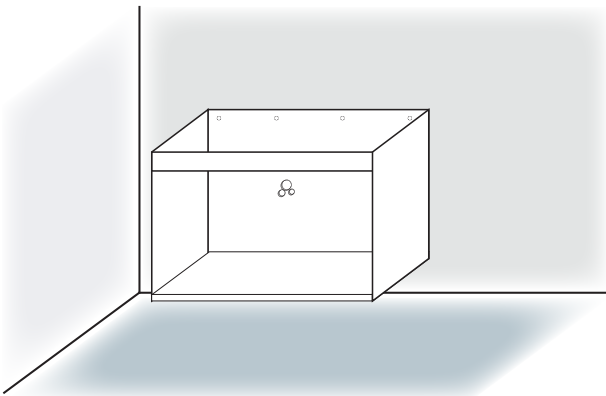
VANITY INSTALLATION

1. LOCATION



Start by marking the position of the top of the vanity on the wall. Take into consideration the top/basin thickness to get the correct height. Ensure that the vanity attaches to a minimum of two support beams and mark these positions.

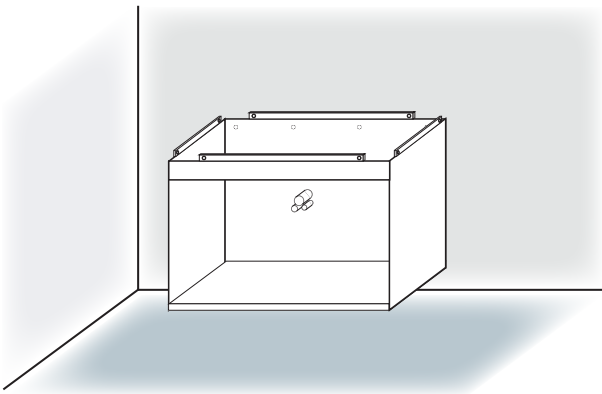
2. PREPARE THE CABINET



Remove all doors and drawers from the cabinet. Measure the correct plumbing locations and drill holes for plumbing in the back panel and/or base of the cabinet using an appropriate-sized hole saw.

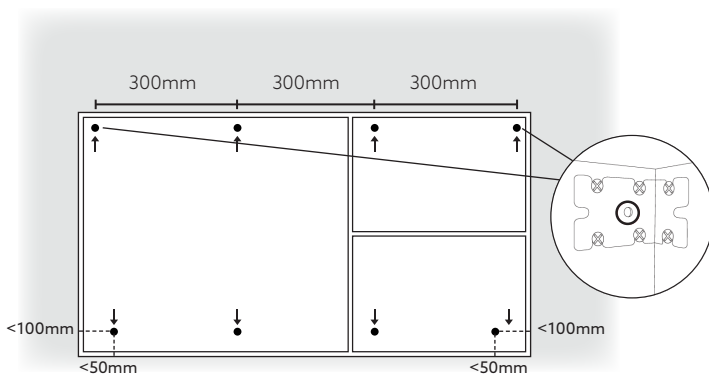
- For the detailed drawer removal instruction, go to the last page

3. LEVELLING



For wall hung vanities, position the vanity over the pipes in the correct position and fix it with a single screw in the center of the vanity to hold it in place. Make sure that the vanity is completely level. You may want to use a level support/noggin to assist while levelling.

4. SECURE THE CABINET & REMOVE BLOCKS

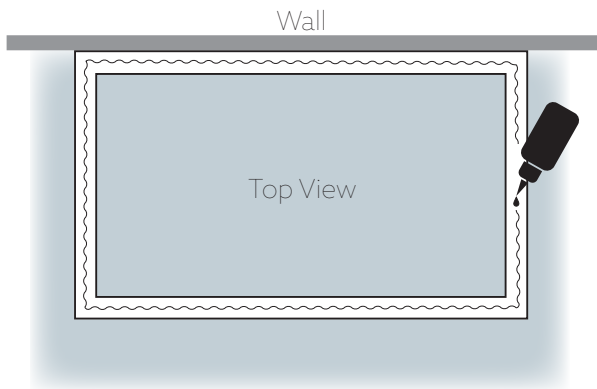


To securely fasten a vanity to the wall, use appropriate screws or bolts at the top and bottom of the cabinet. Use top left and right brackets and evenly space horizontal fixings no more than 300mm apart. For the bottom, start fixing points no more than 100mm from each end and no higher than 50mm from the base panel.

Use hollow wall anchors where support beams are not available.

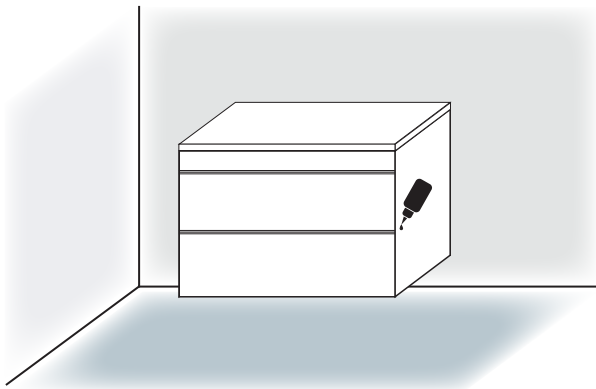
The vanity must be attached to a minimum of two support beams, and ensure fixings clear all water and electrical services in the wall.

5. FIX TOP/BASIN



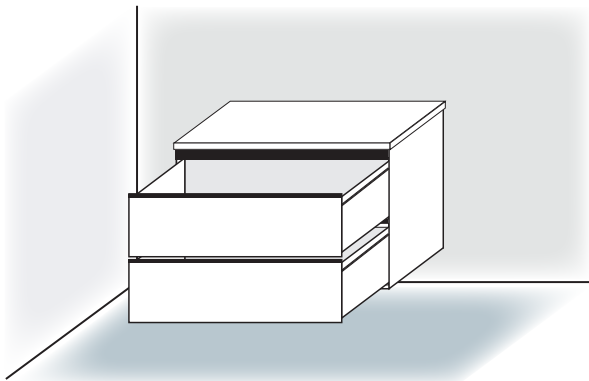
Using non-acidic silicone, apply a continuous bead of silicone to the top four edges of the vanity and at the back where the top meets the wall. Position the top so that it has equal overhang on each side, ensuring the top surface is level.

6. SEALING



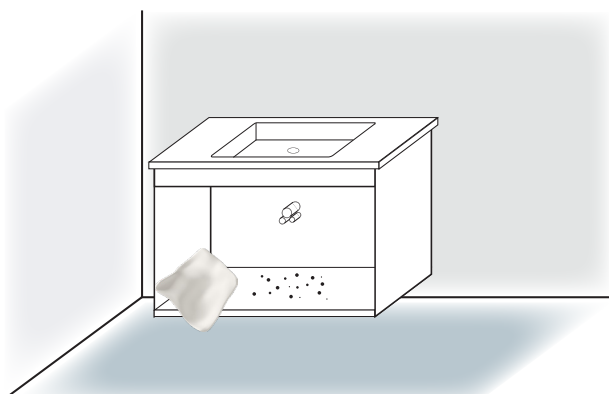
Apply non-acidic silicone to all edges where the vanity top and cabinet meet the wall and floor. Remember that materials used in the construction of this unit are water-resistant, not waterproof, so all areas need to be sealed to prevent water penetration. You can use gap sealant in place of silicone where the unit meets tiled surfaces.

7. ADJUST DOORS & DRAWERS



Install drawers and doors back onto the cabinet and make adjustments to align the doors and drawers correctly. Remember that it is the responsibility of the installer to make any adjustments to drawers and doors after installation. Don't forget to remove the transportation blocks on the underside of the cabinet.

8. CLEANING



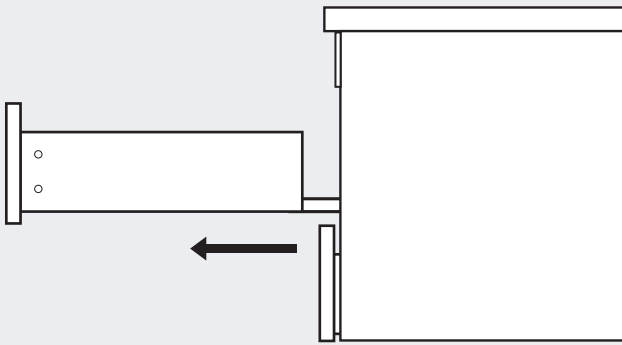
Finally, clean all building residue from the cabinet. Dry any spillage or leakage of water on or inside the cabinet during installation. Ensure that drawer runners are free of any debris as this may affect the operation.



REMOVING & INSERTING DRAWER

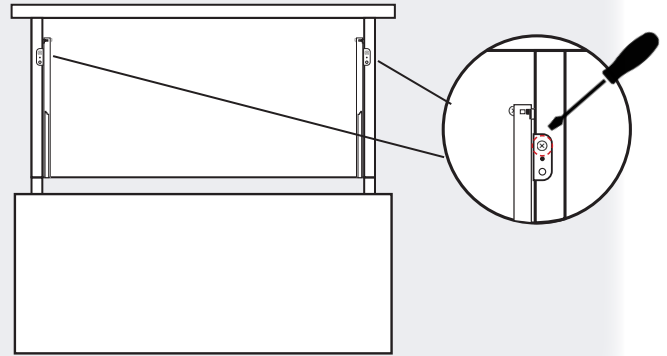
MDF VANITY

1 Side View



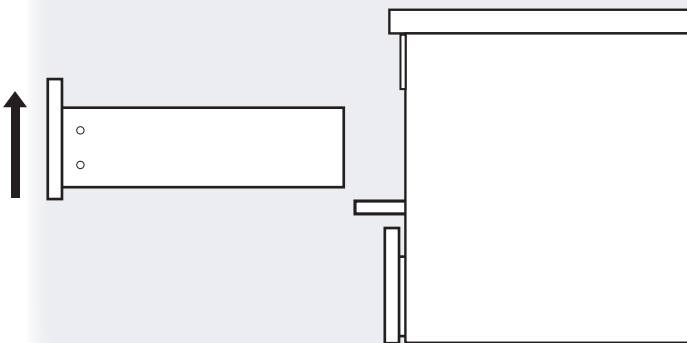
Pull out the drawer as far as it will go until it stops.

2 Bottom View



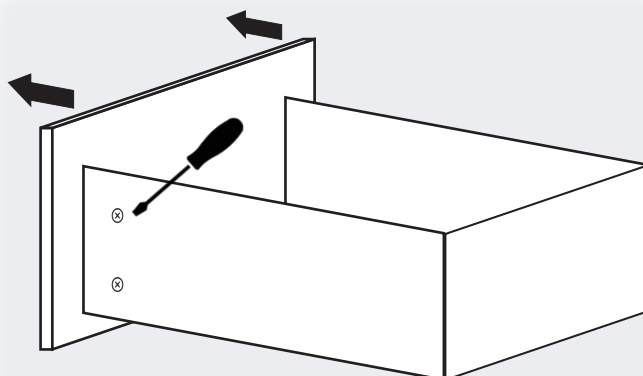
The runners are attached at the bottom of the drawer. Look for screws that hold the runner as circled in the picture. Use a screwdriver to unscrew the screws and remove them.

3 Side View



Once the screws are removed, gently lift the drawer up and out of the cabinet.

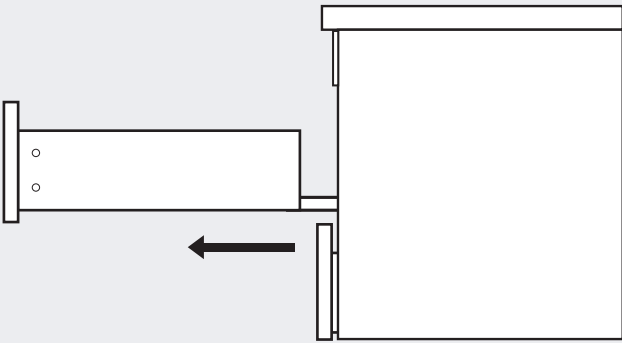
To **re-install** the drawer, simply reverse the steps you took to remove it. Make sure the runners are properly aligned, and then gently slide the drawer back into place until it locks into position.



To remove **drawer front panel**, turn two screws on each side first and pull drawer front forwards.

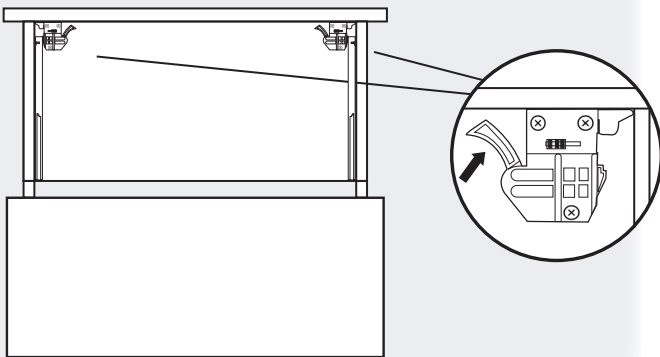
PVC VANITY

1 Side View



Pull out the drawer as far as it will go until it stops.

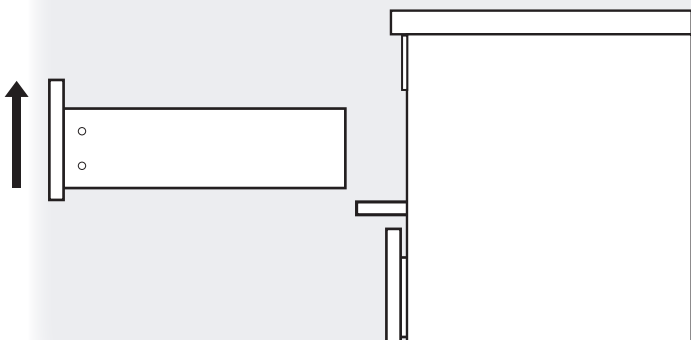
2 Bottom View



The lever is located at the bottom of the drawer.

Simply push the lever until it releases from the runner as showed in the picture for both side.

3 Side View



Once the release levers are disengaged, gently lift the drawer up and out of the cabinet.

To **re-install** the drawer, simply reverse the steps you took to remove it. Make sure the runners are properly aligned, and then gently slide the drawer back into place until it locks into position.